

P/N: 4215503

Copyright

© 2022, FLIR Systems, Inc.

All rights reserved worldwide. Names and marks appearing herein are either registered trademarks or trademarks of FLIR Systems and/or its subsidiaries. All other trademarks, trade names or company names referenced herein are used for identification only and are the property of their respective owners.

Document identity

Publ. No.: 4215503

Commit: 86676

Language:

Modified: 2022-08-19

Formatted: 2022-08-22

Website

<http://www.flir.com>

Customer support

<http://support.flir.com>

Disclaimer

Specifications subject to change without further notice. Camera models and accessories subject to regional market considerations. License procedures may apply. Products described herein may be subject to US Export Regulations. Please refer to exportquestions@flir.com with any questions.



Specifications	
Spectral band	7.5-12 microns
Focal length	100 mm
f /number	2.5
Average transmission	94.80%
Focus type	Manual
Distortion	< 1.5%
Focus range	3 m to Infinity
Hyperfocal distance	85 m (at 8.9 μm)
Operating temperature	-20 to +50°C
Storage temperature	-20 to +60°C
Length (outside of camera)	78.28 mm (2.83 in)
Diameter	105.2 mm (4.14 in)
Weight	0.56 kg (1.23 lbs)
Deg. Horizontal field of view (A66/67XXsc/SC67XX)	5.5
Deg. Vertical field of view (A66/67XXsc/SC67XX)	4.4
Deg. Diagonal field of view (A66/67XXsc/SC67XX)	7.0
Deg. Horizontal field of view (X68XXsc/X69XXsc)	9.1
Deg. Vertical field of view (X68XXsc/X69XXsc)	7.3
Deg. Diagonal field of view (X68XXsc/X69XXsc)	11.7
Deg. Horizontal field of view (X85XXsc)	8.8
Deg. Vertical field of view (X85XXsc)	7.0
Deg. Diagonal field of view (X85XXsc)	11.2
Interface	4-Tab FPO Manual Focus Bayonet

Compatible with the following products:

- 29439-251; FLIR A6751 SLS (f/2.5, 7.5-10.5μm, 125Hz)
- 29439-253; FLIR A6753 SLS (f/4.0, 7.5-10.5μm, 125Hz)
- 29439-281; FLIR A6781 SLS (f/2.5, 7.5-11μm, 125Hz)



Lens 7.5-12 um 100 mm f/2.5 FPO Manual Bayonet

P/N: 4215503

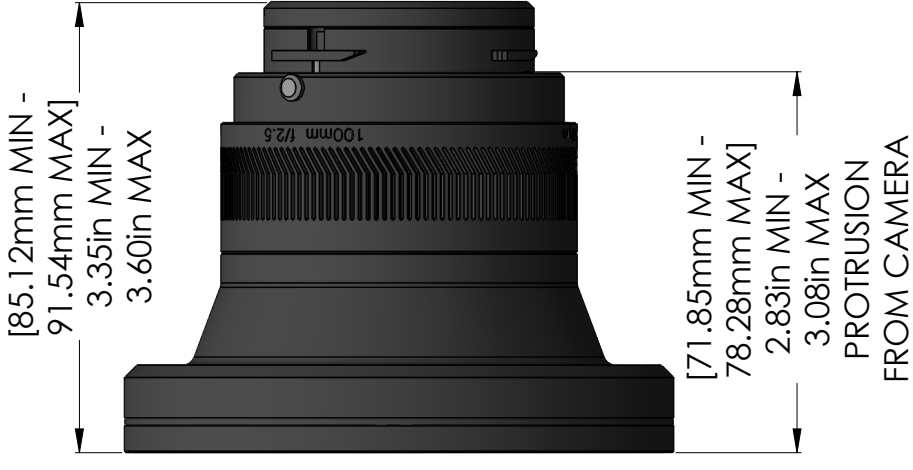
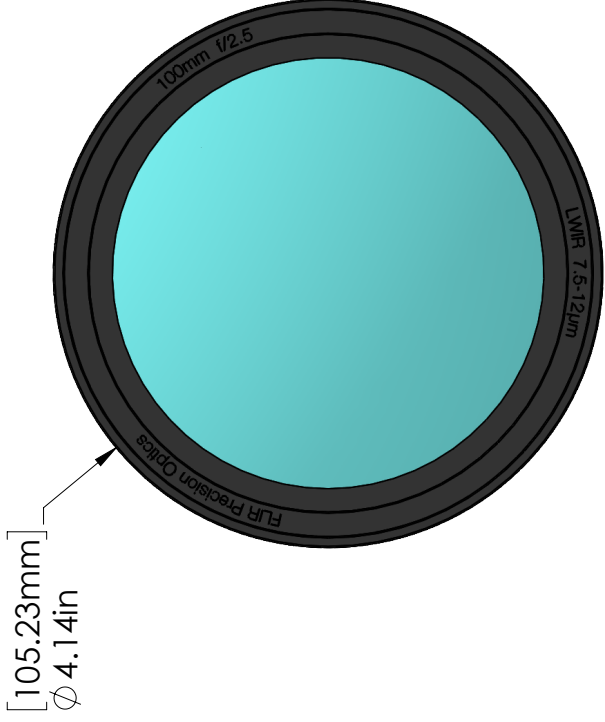
© 2022, FLIR Systems, Inc.

#4215503; r. 86676;

- 29439-283; FLIR A6783 SLS (f/4.0, 7.5-11µm, 125Hz)
- 29444-201; FLIR A8581 SLS (f/2.5, 7.5-12.5 µm)
- 29421-281; FLIR X6981 SLS LWIR (f/2.5)
- 29421-283; FLIR X6983 SLS LWIR (f/4.1)
- 29428-281; FLIR X8581 SLS LWIR (f/2.5)
- 29428-283; FLIR X8583 SLS LWIR (f/4.1)

100mm LWIR

P/N: 4215503



WEIGHT - [558.4 g]
19.7 oz