

P/N: T198059

Copyright

© 2022, FLIR Systems, Inc.

All rights reserved worldwide. Names and marks appearing herein are either registered trademarks or trademarks of FLIR Systems and/or its subsidiaries. All other trademarks, trade names or company names referenced herein are used for identification only and are the property of their respective owners.

Document identity

Publ. No.: T198059

Commit: 42932

Language: en-US

Modified: 2017-05-30

Formatted: 2022-08-22

Website

<http://www.flir.com>

Customer support

<http://support.flir.com>

Disclaimer

Specifications subject to change without further notice. Camera models and accessories subject to regional market considerations. License procedures may apply. Products described herein may be subject to US Export Regulations. Please refer to exportquestions@flir.com with any questions.



General description	
For R&D usage or development purposes. As an example looking at PCB's or small electronic components.	
Imaging and optical data	
Field of view (FOV)	32 x 24 mm (40 mm diagonally)
Magnifying factor	2.9x
Working distance	84 mm
Depth of field	0.65 mm
Focal length	78 mm
Spatial resolution (IFOV)	50 μm
Lens identification	Manual
F-number	1.0
Number of lenses	2 (2 asph)
MTF @ 70% of FOV	Normal requirements (52%)
Distortion	3%
Lens note	The close-up lens is mounted on the 25° lens
Physical data	
Weight	0.197 kg (0.43 lb.)
Size (L x D)	32 x 67 mm
Front lens diameter	53 mm
Shipping information	
Packaging, type	Cardboard box
List of contents	<ul style="list-style-type: none"> • Lens • Front lens cap • Rear lens cap • Case • Instruction for mounting close-up lenses
Packaging, weight	0.440 kg (0.97 lb.)
Packaging, size	172 x 131 x 133 mm (6.8 x 5.2 x 5.2 in.)
EAN-13	7332558005583
UPC-12	845188005795
Country of origin	Sweden



Close-up IR lens, 2.9× (50 μm) with case

P/N: T198059

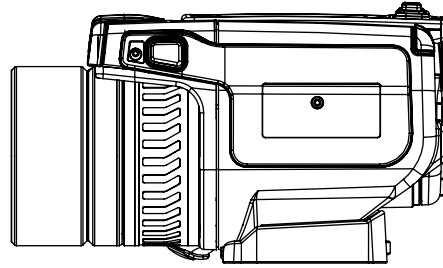
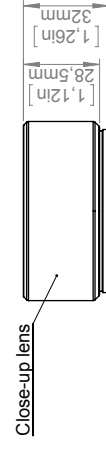
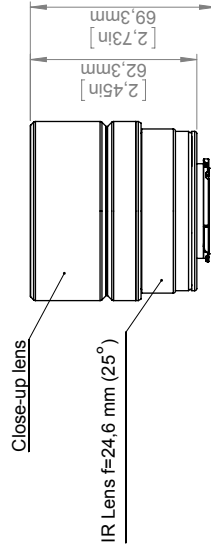
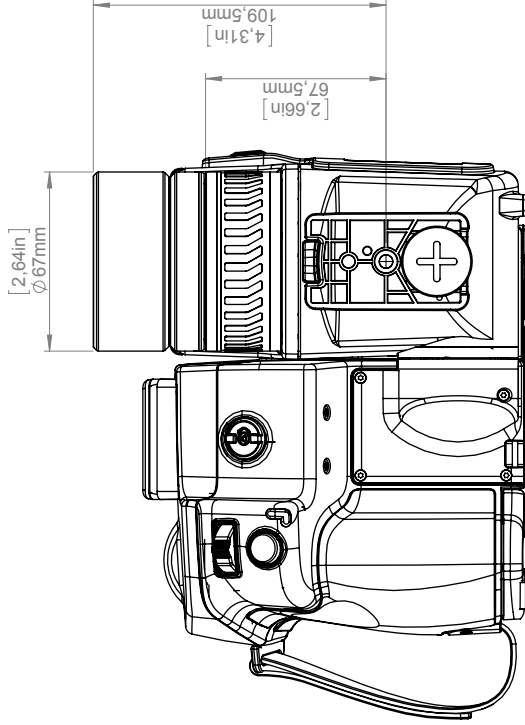
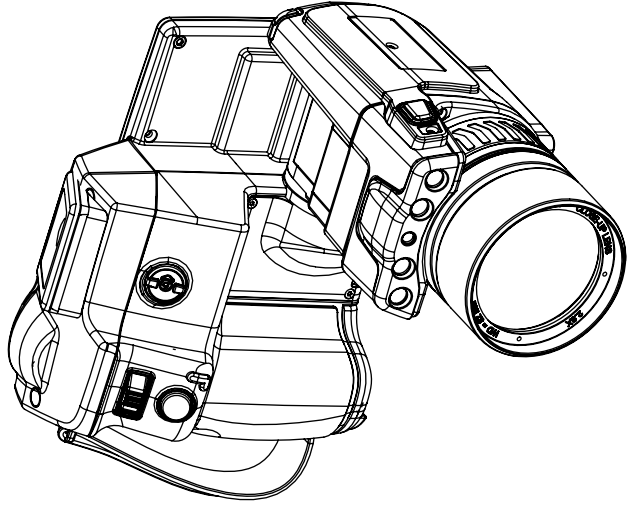
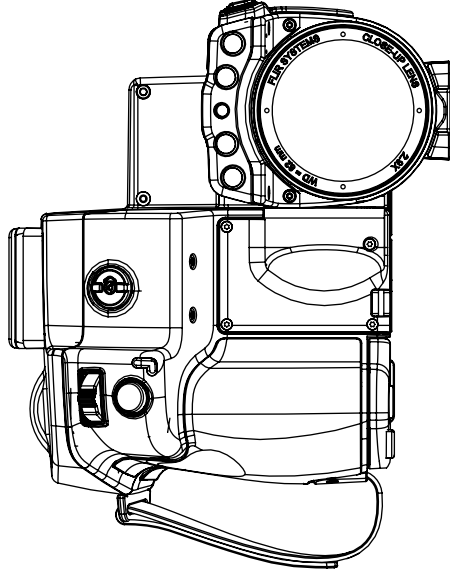
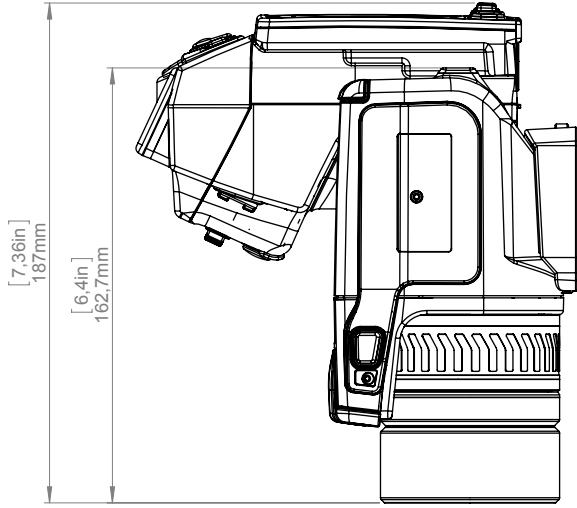
© 2022, FLIR Systems, Inc.

#T198059; r. 42932; en-US

Compatible with the following products:

- 55001-0101; FLIR A615 15°
- 55001-0102; FLIR A615 25°
- 55001-0103; FLIR A615 45°
- 55001-0104; FLIR A615 7°
- 55001-0105; FLIR A615 80°
- 55001-0301; FLIR A655sc 15°
- 55001-0302; FLIR A655sc 25°
- 55001-0303; FLIR A655sc 45°
- 55001-0304; FLIR A655sc 7°
- 55001-0305; FLIR A655sc 80°

Camera with Close-up lens 2,9X (50 µm)



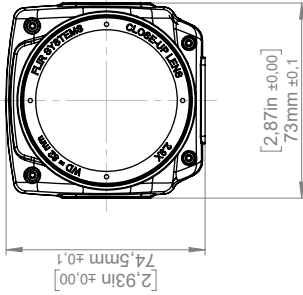
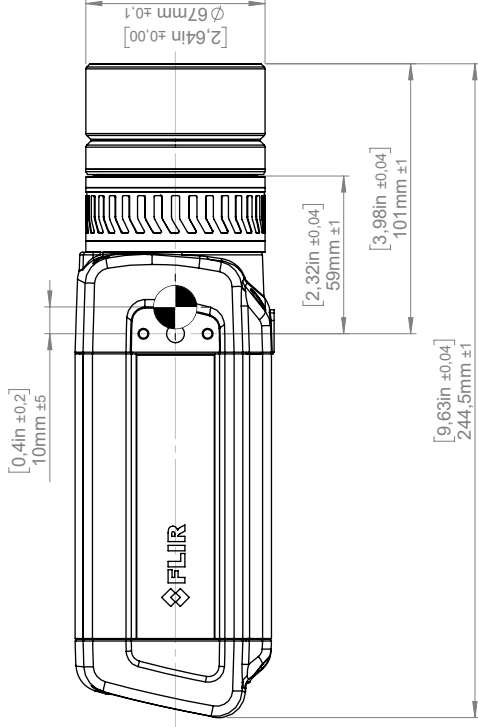
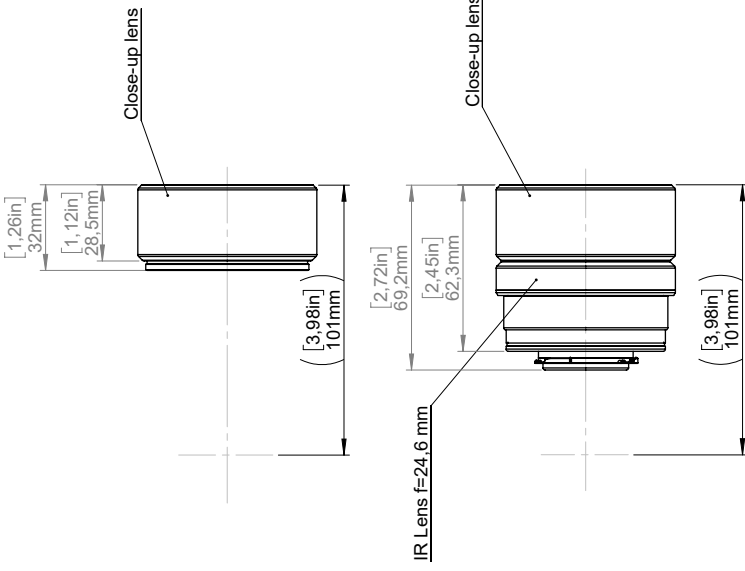
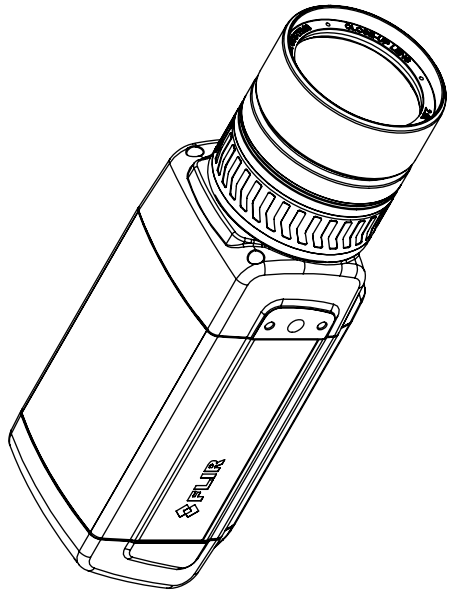
For additional dimensions see page 1

Modified 2012-04-19
 Check CAHA
 Drawn by R&D Thermography
 Denomination

FLIR
 Size A3
 Scale 1:2
 Sheet 8(9)
 Drawing No. T127424

Basic dimensions FLIR T6xx

Camera with Close-up lens 2,9X (50 μm)



For additional dimensions see page 1

Modified 2022-01-14
Denomination

Check AKZE

Drawn by R&D Thermography

Size A3
Scale 1:2



Basic dimensions FLIR A/SC 6xx

Sheet 8(9)
Drawing No. T126925

Size B