

P/N: T198165

Copyright

© 2020, FLIR Systems, Inc.

All rights reserved worldwide. Names and marks appearing herein are either registered trademarks or trademarks of FLIR Systems and/or its subsidiaries. All other trademarks, trade names or company names referenced herein are used for identification only and are the property of their respective owners.

Document identity

Publ. No.: T198165

Commit: 64422

Language:

Modified: 2020-03-11

Formatted: 2020-03-11

Website

<http://www.flir.com>

Customer support

<http://support.flir.com>

Disclaimer

Specifications subject to change without further notice. Camera models and accessories subject to regional market considerations. License procedures may apply. Products described herein may be subject to US Export Regulations. Please refer to exportquestions@flir.com with any questions.



General description	
The 7° lens is a popular accessory that provides outstanding magnification of details at long distances. It is ideal for small or distant targets such as overhead power lines.	
Imaging and optical data	
Field of view (FOV)	7° × 5.3° (8.7° diagonally)
Minimum focus distance	2.0 m (6.6 ft.)
Focal length	88.9 mm (3.5 in.)
Spatial resolution (IFOV)	0.19 mrad
Lens identification	Automatic
F-number	1.3
Number of lenses	3 (3 asph)
MTF @ 70% of FOV	Normal requirements (52%)
Distortion	3%
Physical data	
Weight	0.88 kg (1.94 lb.)
Weight, lens	0.71 kg (1.57 lb.)
Size (L × D)	96 × 126 mm (3.78 × 4.96 in.), excluding support
Front lens diameter	96 mm (3.78 in.)
Shipping information	
Packaging, type	Cardboard box
List of contents	<ul style="list-style-type: none"> • Lens • Lens case • Front lens cap • Rear lens cap • Mounting support • Lens mounting instructions
Packaging, weight	1.748 kg (3.9 lb.)
Packaging, size	385 × 308 × 165 mm (15.2 × 12.1 × 6.5 in.)
EAN-13	7332558005798
UPC-12	845188006006
Country of origin	Sweden

Compatible with the following products:

- 55001-0101; FLIR A615 15°



IR lens, f=88.9 mm (7°) with case and mounting support (for A6xx/A6xxsc)

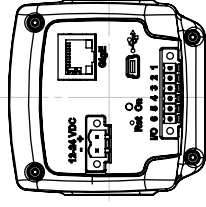
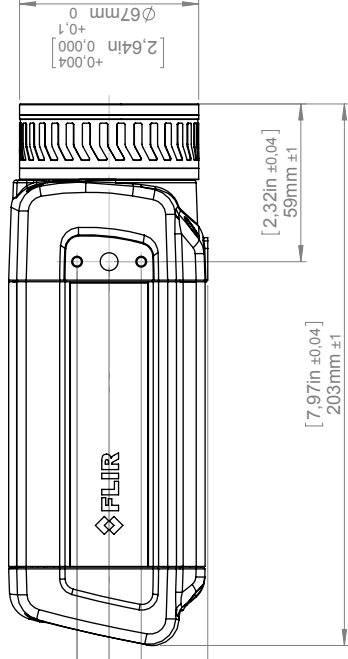
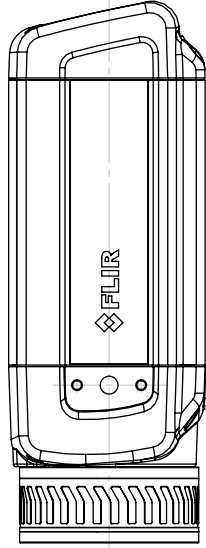
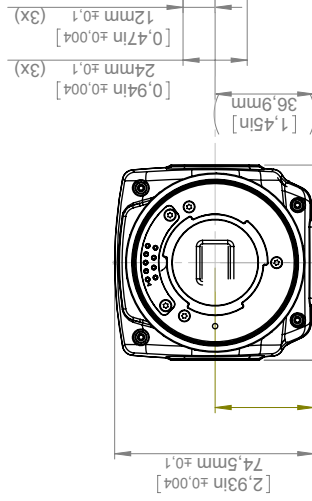
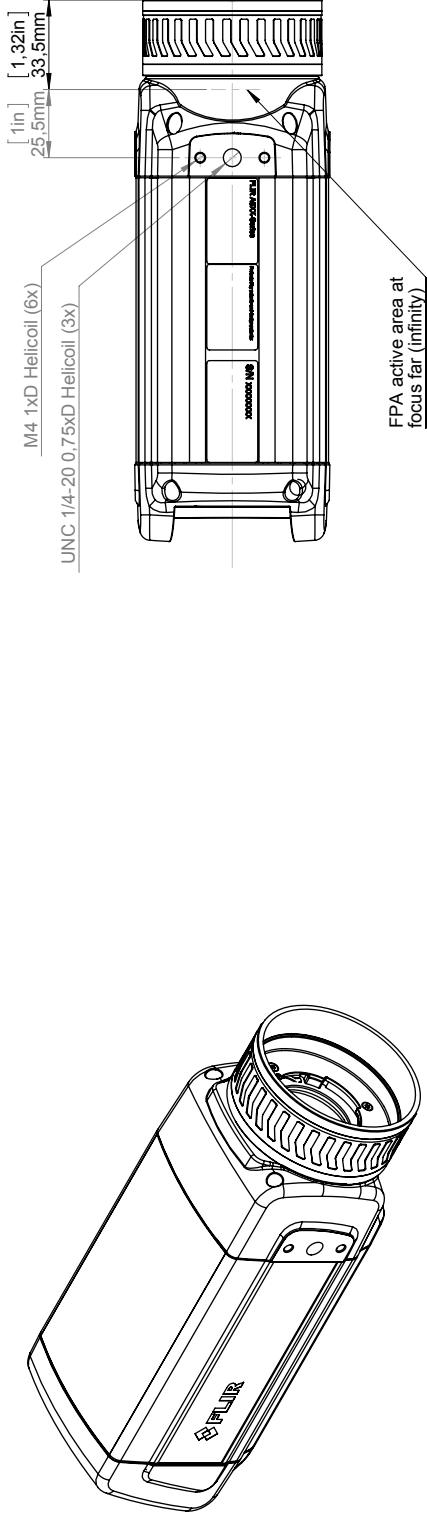
P/N: T198165

© 2020, FLIR Systems, Inc.

#T198165; r. 64422;

- 55001-0102; FLIR A615 25°
- 55001-0103; FLIR A615 45°
- 55001-0104; FLIR A615 7°
- 55001-0105; FLIR A615 80°
- 55001-0301; FLIR A655sc 15°
- 55001-0302; FLIR A655sc 25°
- 55001-0303; FLIR A655sc 45°
- 55001-0304; FLIR A655sc 7°
- 55001-0305; FLIR A655sc 80°

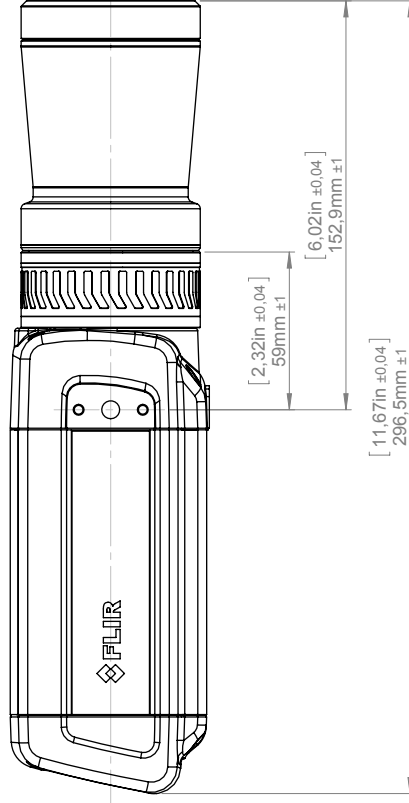
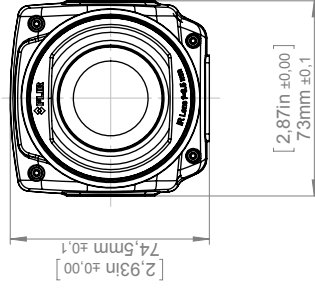
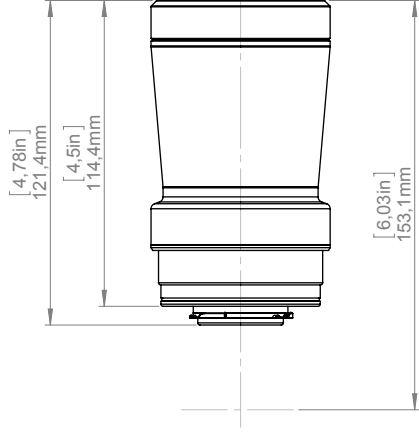
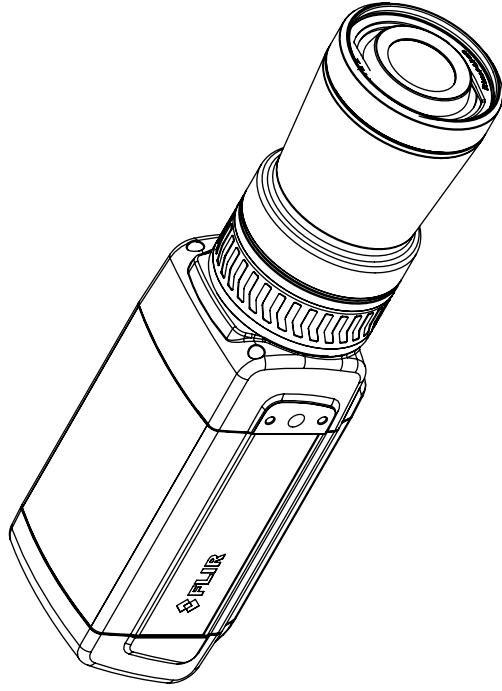
Camera housing



Modified 2012-04-18	Check CAHA	Drawn by R&D Thermography	FLIR
Denomination Basic dimensions FLIR A/SC 6xx			Size A3
			Scale 1:2
			Sheet 1(9)
			Drawing No. T126925
			Size A

© 2012, FLIR Systems, Inc. All rights reserved worldwide. No part of this drawing may be reproduced, stored in a retrieval system, or transmitted in any form, or by any means, electronic, mechanical, photocopying, recording, or otherwise, without written permission from FLIR Systems, Inc. Specifications subject to change without further notice. Dimensional data is based on nominal values. Products may be subject to regional market considerations. License procedures may apply. Product may be subject to US Export Regulations. Please refer to exportquestions@flir.com with any questions. Diversion contrary to US law is prohibited.

Camera with Lens IR f=6,5 mm (80°)

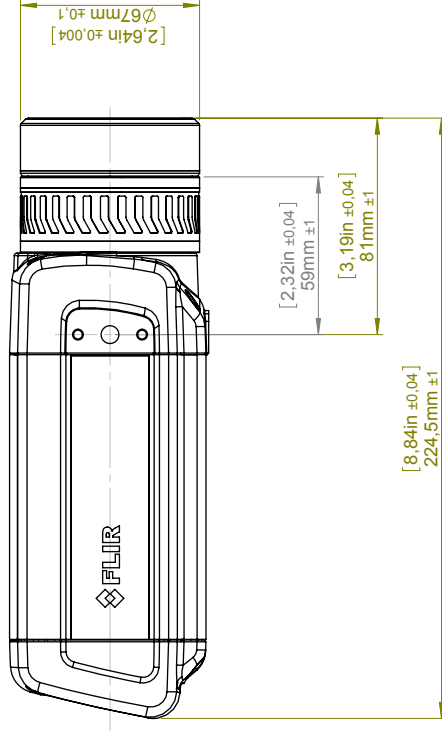
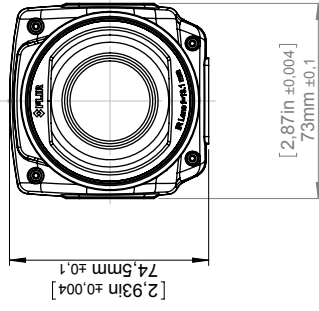
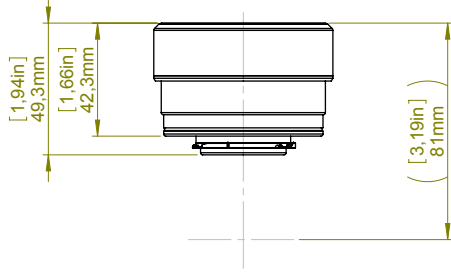
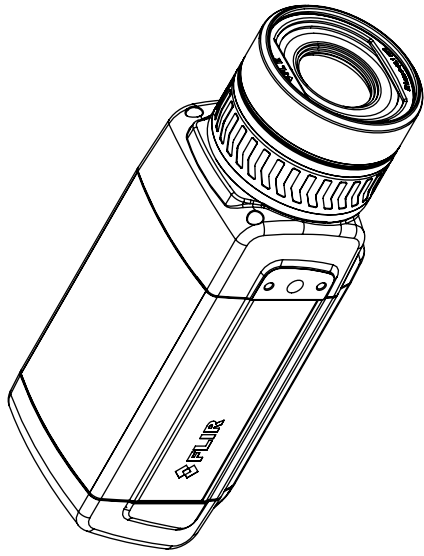


For additional dimensions see page 1

Modified 2012-04-18 Denomination	Check CAHA	Drawn by R&D Thermography	Size A3	Sheet Z(9)	Size A
Basic dimensions FLIR A/SC 6xx			Scale 1:2	Drawing No. T126925	



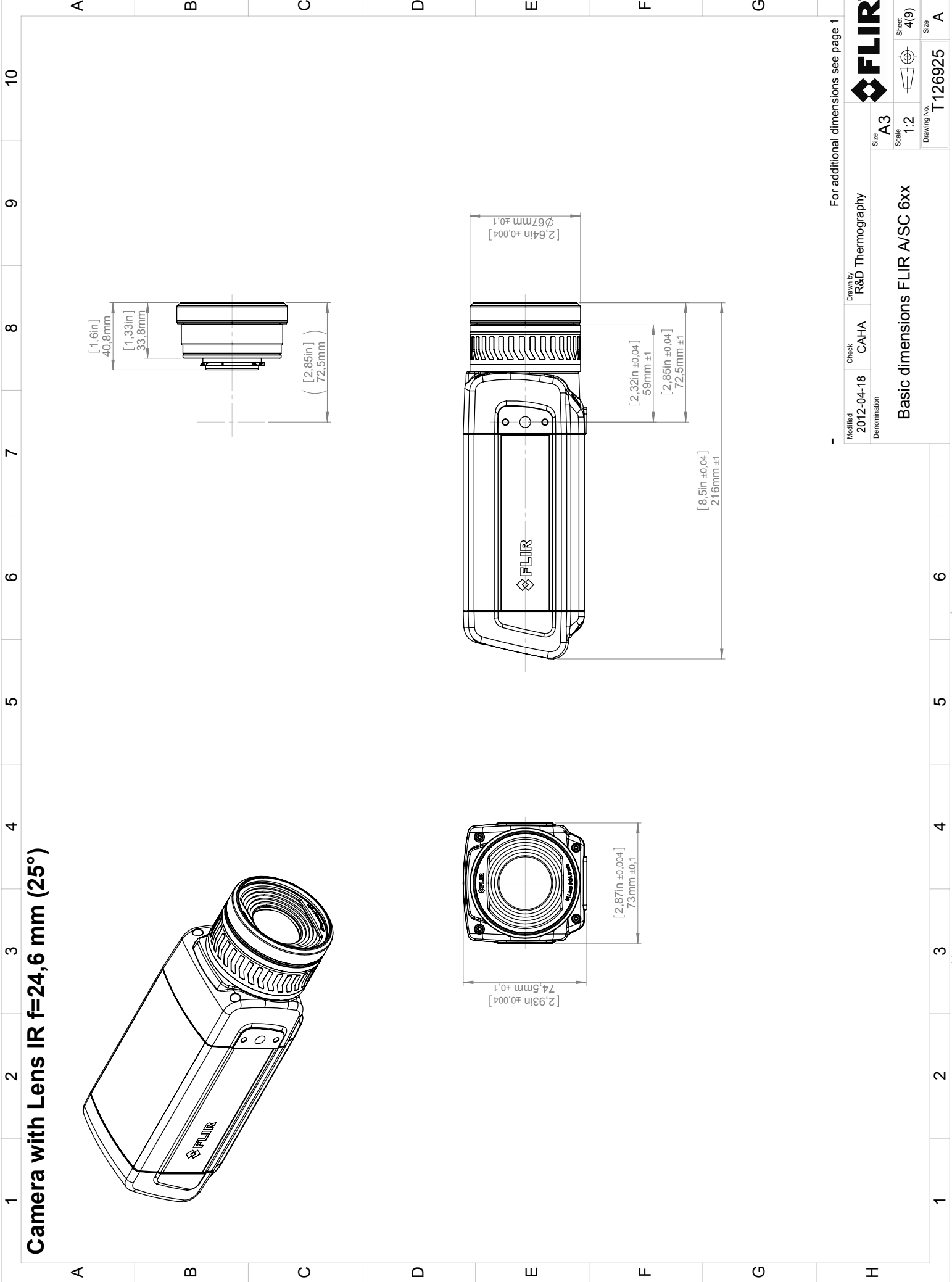
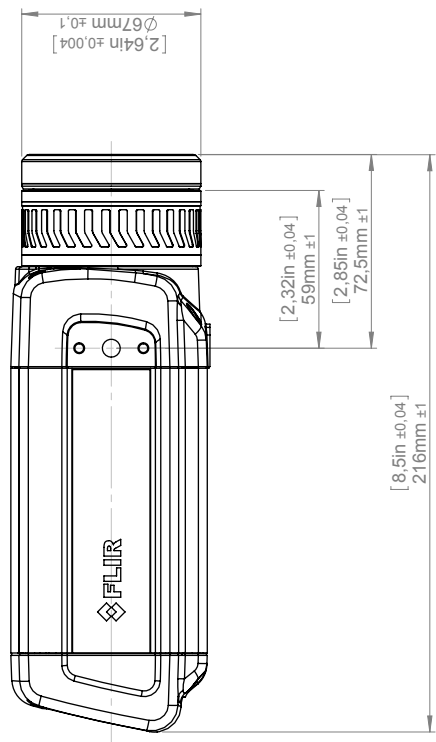
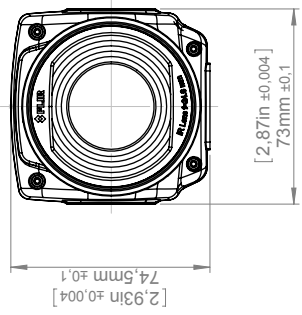
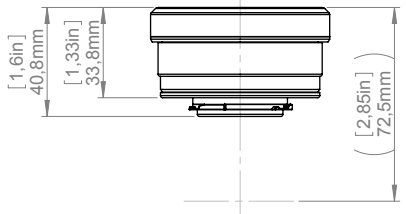
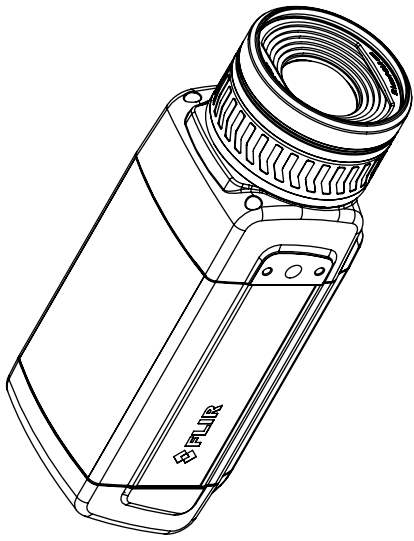
Camera with Lens IR f=13,1 mm (45°)



For additional dimensions see page 1			
Modified 2012-04-18 Denomination	Check CAHA	Drawn by R&D Thermography	FLIR®
Basic dimensions FLIR A/SC 6xx			Sheet 3(9)
Size A3			Scale 1:2
Drawing No. T126925			Size A

Product may be subject to US Export Regulations. Please refer to exportquestions@flir.com with any questions. Division contrary to US law is prohibited.
 © 2012, FLIR Systems, Inc. All rights reserved worldwide. No part of this drawing may be reproduced, stored in a retrieval system, or transmitted in any form, or by any means, electronic, mechanical, photocopying, recording, or otherwise, without written permission from FLIR Systems, Inc. Specifications subject to change without further notice. Dimensional data is based on nominal values. Products may be subject to regional market considerations. License procedures or otherwise may apply.

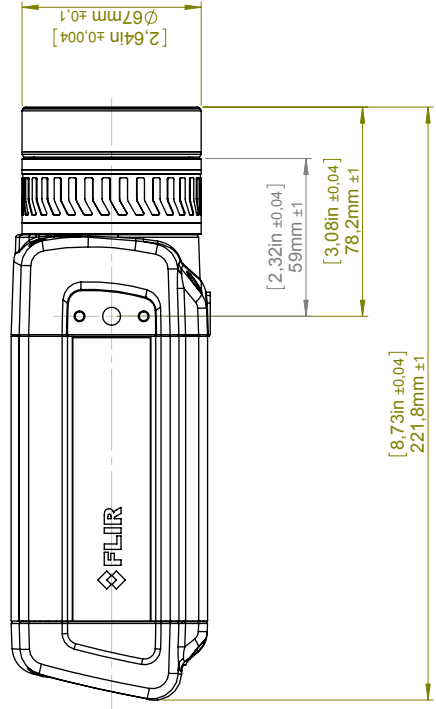
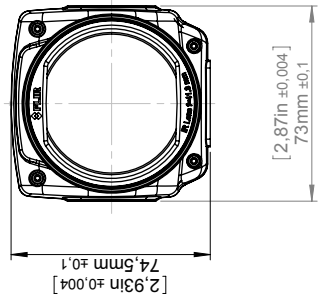
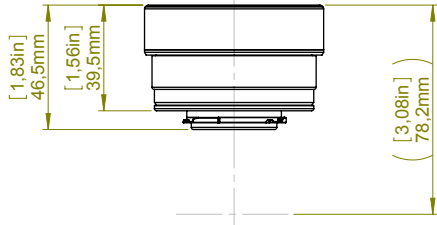
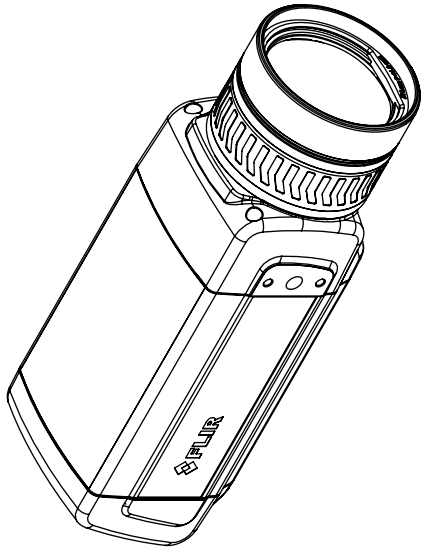
Camera with Lens IR f=24,6 mm (25°)



For additional dimensions see page 1			
Modified 2012-04-18	Check CAHA	Drawn by R&D Thermography	Size A3
Denomination		Scale 1:2	
Basic dimensions FLIR A/SC 6xx		Sheet 4(9)	
		Drawing No. T126925	
		Size A	

Product may be subject to US Export Regulations. Please refer to exportquestions@flir.com with any questions. Diversion contrary to US law is prohibited.
 © 2012, FLIR Systems, Inc. All rights reserved worldwide. No part of this drawing may be reproduced, stored in a retrieval system, or transmitted in any form, or by any means, electronic, mechanical, photocopying, recording, or otherwise, without written permission from FLIR Systems, Inc. Specifications subject to change without further notice. Dimensional data is based on nominal values. Products may be subject to regional market considerations. License procedures may apply.

Camera with Lens IR f=41,3 mm (15°)



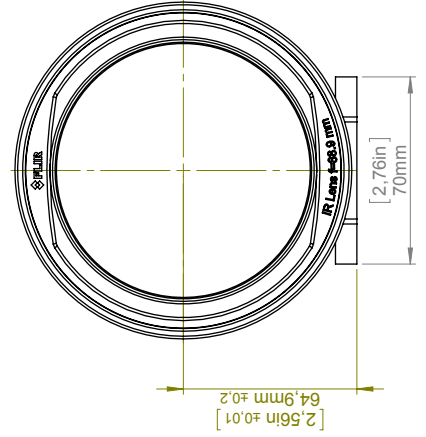
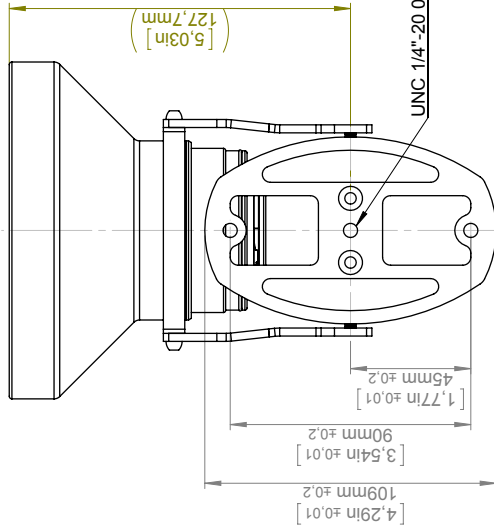
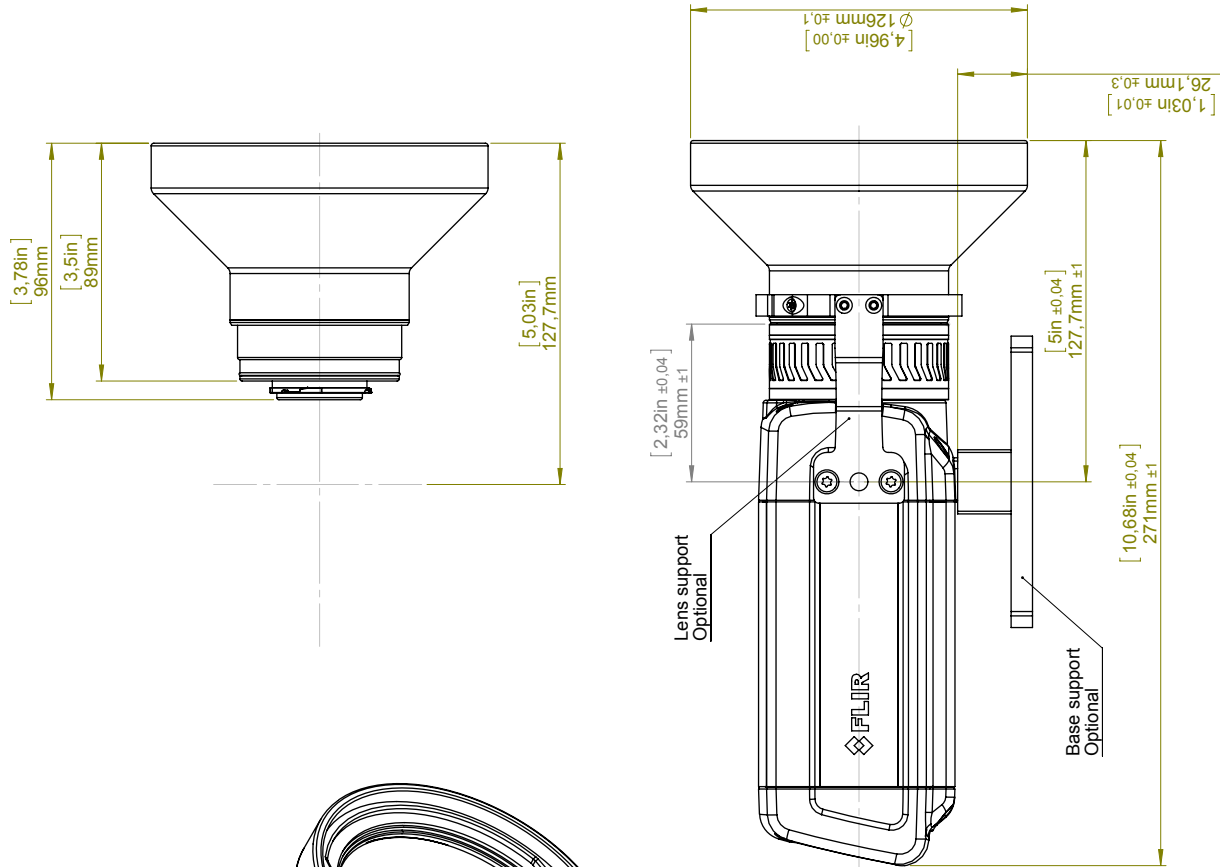
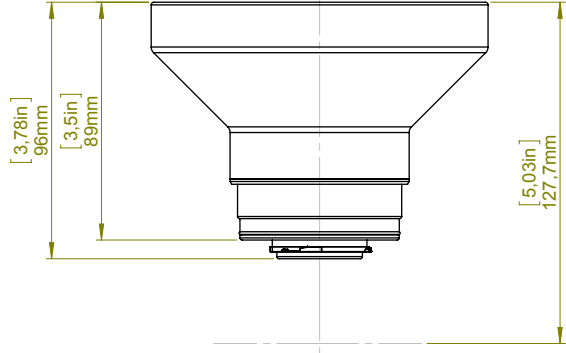
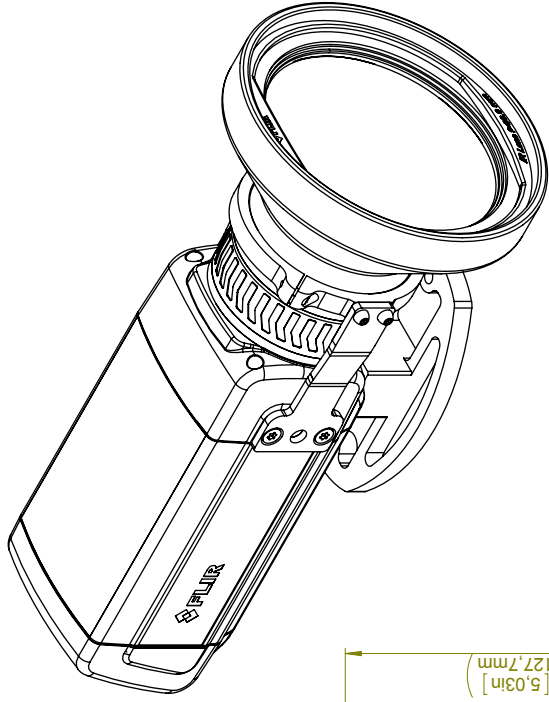
For additional dimensions see page 1

Modified 2012-04-18	Check CAHA	Drawn by R&D Thermography	Size A3	Sheet 5(9)
Denomination Basic dimensions FLIR A/SC 6xx			Scale 1:2	Drawing No. T126925
			Size A	



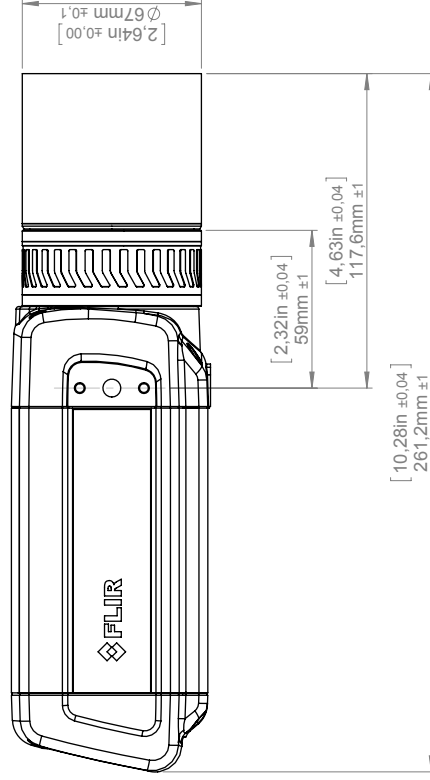
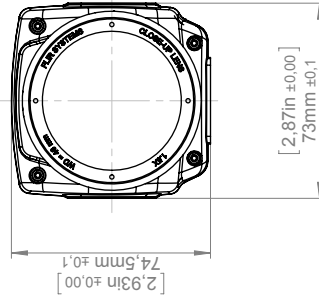
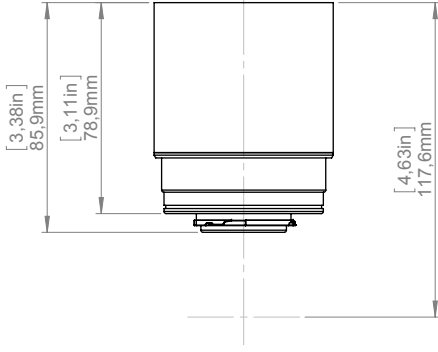
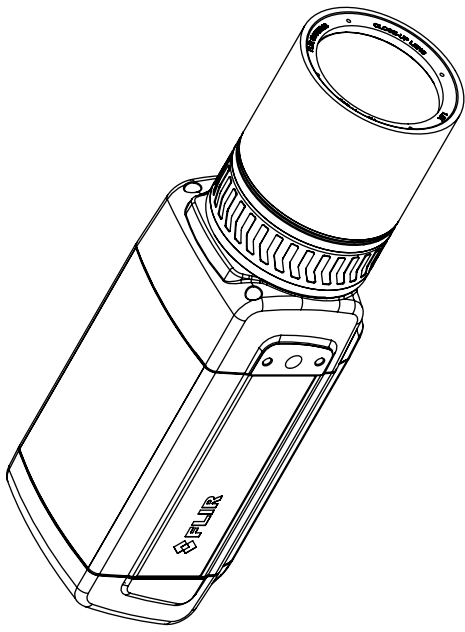
Product may be subject to US Export Regulations. Please refer to exportquestions@flir.com with any questions. Diversion contrary to US law is prohibited.
 © 2012, FLIR Systems, Inc. All rights reserved worldwide. No part of this drawing may be reproduced, stored in a retrieval system, or transmitted in any form, or by any means, electronic, mechanical, photocopying, recording, or otherwise, without written permission from FLIR Systems, Inc. Specifications subject to change without further notice. Dimensional data is based on nominal values. Products may be subject to regional market considerations. License procedures may apply.

Camera with Lens IR f=88,9 mm (7°) incl support



For additional dimensions see page 1			
Modified	Check	Drawn by	FLIR®
2012-04-18	CAHA	R&D Thermography	
Denomination			
Basic dimensions FLIR A/SC 6xx			
Size	Scale	Sheet	Size
A3	1:2	6(9)	A
Drawing No.			Size
T126925			A

Camera with Close-up lens 1,5X (25 µm)



For additional dimensions see page 1

Modified
 2012-04-18
 Denomination

Check
 CAHA

Drawn by
 R&D Thermography

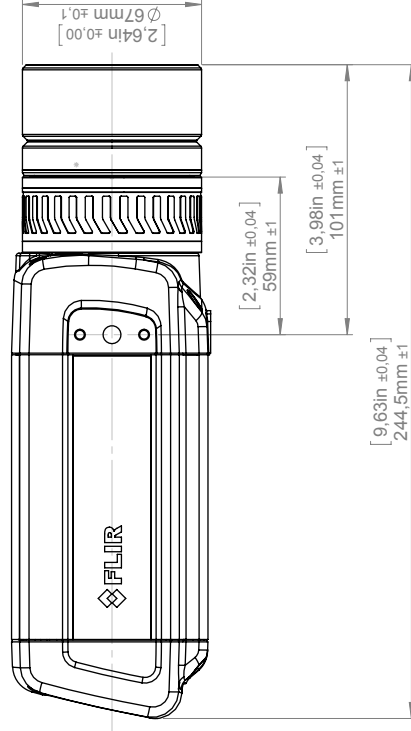
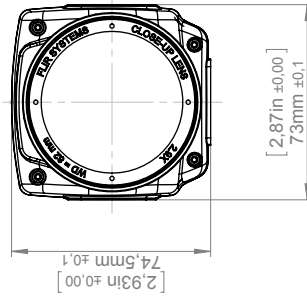
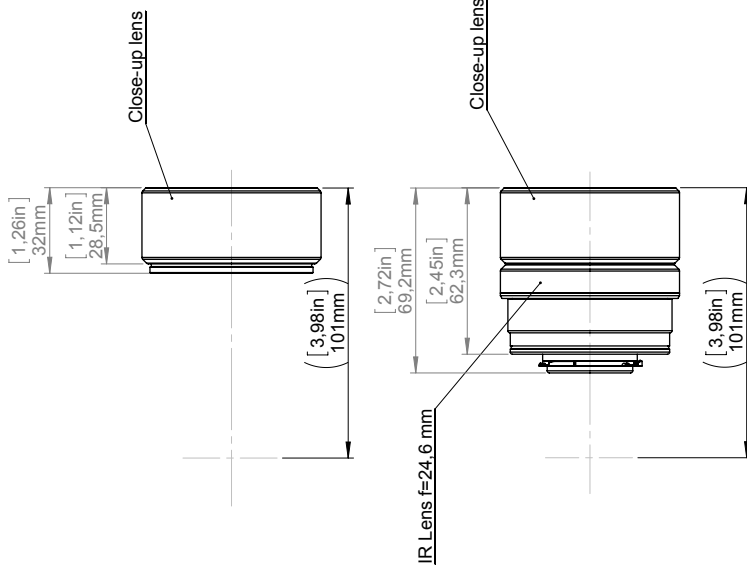
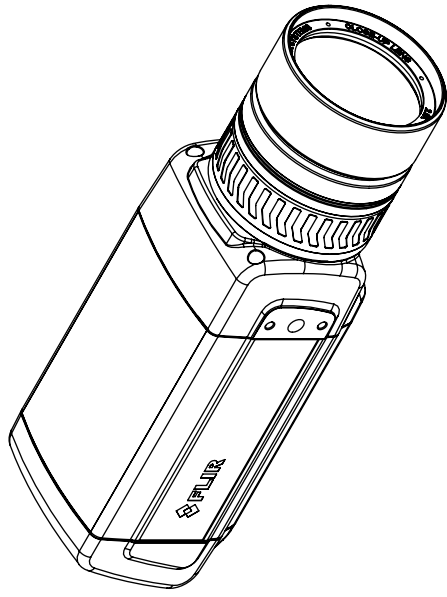
Size
 A3
 Scale
 1:2
 Drawing No.
 T126925



Basic dimensions FLIR A/SC 6xx

Sheet
 7(9)
 Size
 A

Camera with Close-up lens 2,9X (50 μm)



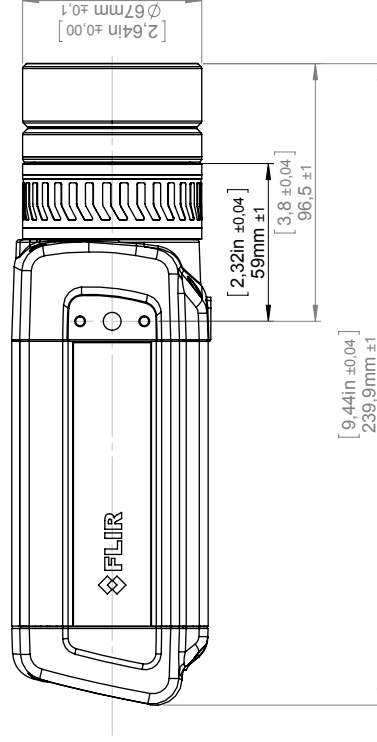
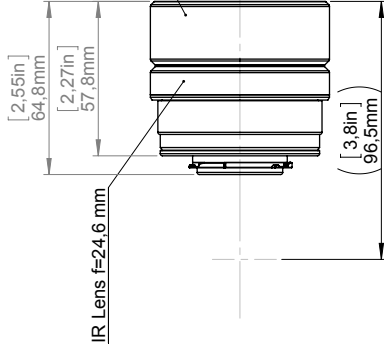
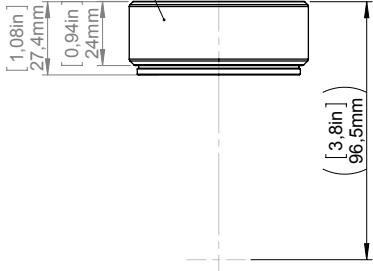
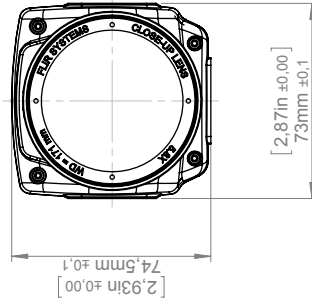
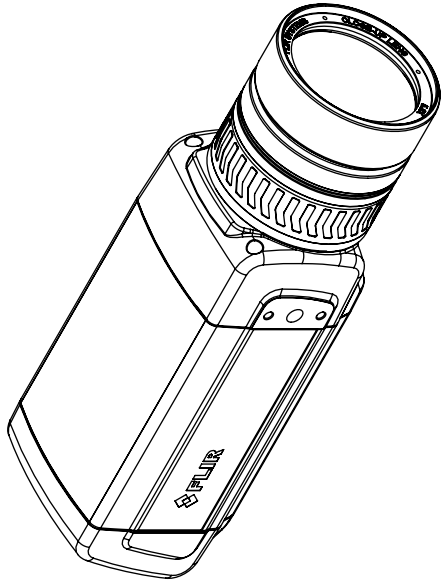
A	B	C	D	E	F	G
1	2	3	4	5	6	7
8	9	10				

Modified 2012-04-18 Denomination		Check CAHA	Drawn by R&D Thermography	For additional dimensions see page 1	
Size A3		Scale 1:2	Sheet 8(9)	Drawing No. T126925	
Basic dimensions FLIR A/SC 6xx					



© 2012, FLIR Systems, Inc. All rights reserved worldwide. No part of this drawing may be reproduced, stored in a retrieval system, or transmitted in any form, or by any means, electronic, mechanical, photocopying, recording, or otherwise, without written permission from FLIR Systems, Inc. Specifications subject to change without further notice. Dimensional data is based on nominal values. Products may be subject to regional market considerations. License procedures may apply. Product may be subject to US Export Regulations. Please refer to exportquestions@flir.com with any questions. Diversion contrary to US law is prohibited.

Camera with Close-up lens 5,8X (100 μm)



For additional dimensions see page 1

Modified 2012-04-18	Check CAHA	Drawn by R&D Thermography	Size A3	Sheet 9(9)
Denomination Basic dimensions FLIR A/SC 6xx			Scale 1:2	Size A
			Drawing No. T126925	



© 2012, FLIR Systems, Inc. All rights reserved worldwide. No part of this drawing may be reproduced, stored in a retrieval system, or transmitted in any form, or by any means, electronic, mechanical, photocopying, recording, or otherwise, without written permission from FLIR Systems, Inc. Specifications subject to change without further notice. Dimensional data is based on nominal values. Products may be subject to regional market considerations. License procedures may apply. Product may be subject to US Export Regulations. Please refer to exportquestions@flir.com with any questions. Diversion contrary to US law is prohibited.