

P/N: T197915

Copyright

© 2020, FLIR Systems, Inc.

All rights reserved worldwide. Names and marks appearing herein are either registered trademarks or trademarks of FLIR Systems and/or its subsidiaries. All other trademarks, trade names or company names referenced herein are used for identification only and are the property of their respective owners.

Document identity

Publ. No.: T197915
 Commit: 42932
 Language: en-US
 Modified: 2017-05-30
 Formatted: 2020-06-17

Website

<http://www.flir.com>

Customer support

<http://support.flir.com>

Disclaimer

Specifications subject to change without further notice. Camera models and accessories subject to regional market considerations. License procedures may apply. Products described herein may be subject to US Export Regulations. Please refer to exportquestions@flir.com with any questions.



General description	
This wide angle lens has a field of view almost double that of the standard 25° lens. Perfect for wide or tall targets or when working in confined areas.	
Imaging and optical data	
Field of view (FOV)	45° × 34° (55° diagonally)
Minimum focus distance	150 mm (5.91 in.)
Focal length	13.1 mm (0.52 in.)
Spatial resolution (IFOV)	1.30 mrad
Lens identification	Automatic
F-number	1.0
Number of lenses	3 (3 asph)
MTF @ 70% of FOV	Normal requirements (52%)
Distortion	3%
Physical data	
Weight	0.209 kg (0.461 lb.)
Size (L × D)	50 × 67 mm (1.97 × 2.64 in.)
Front lens diameter	30 mm (1.18 in.)
Shipping information	
Packaging, type	Cardboard box
List of contents	<ul style="list-style-type: none"> • Lens • Lens case • Front lens cap • Rear lens cap
Packaging, weight	0.430 kg (0.95 lb.)
Packaging, size	172 × 131 × 133 mm (6.8 × 5.2 × 5.2 in.)
EAN-13	7332558004463
UPC-12	845188002688
Country of origin	Sweden

Compatible with the following products:

- 55001-0101; FLIR A615 15°
- 55001-0102; FLIR A615 25°
- 55001-0103; FLIR A615 45°
- 55001-0104; FLIR A615 7°



IR lens, f=13.1 mm (45°) with case

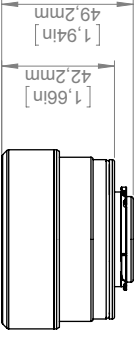
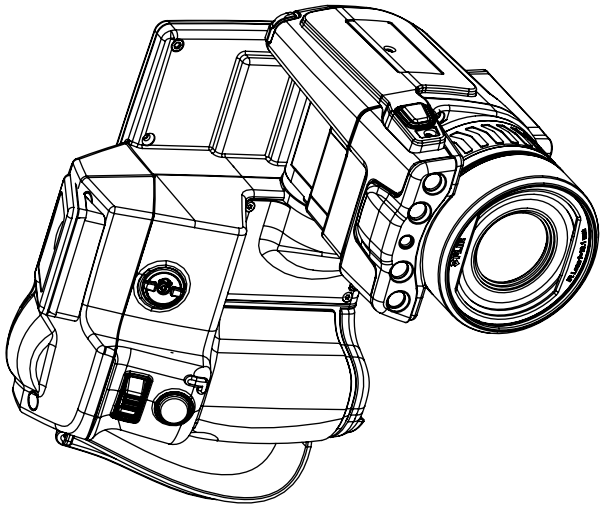
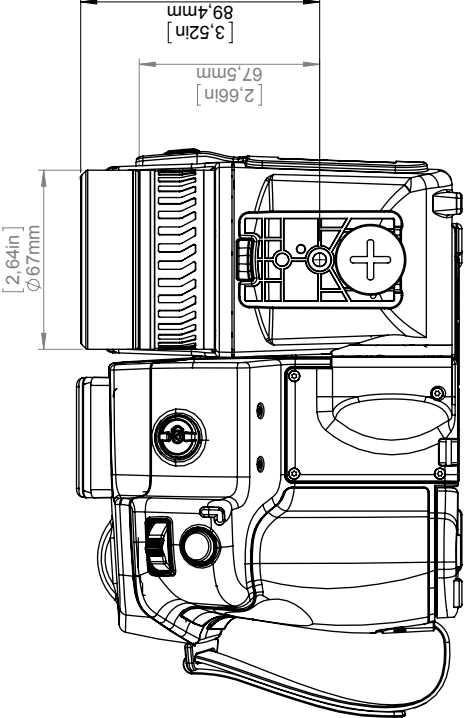
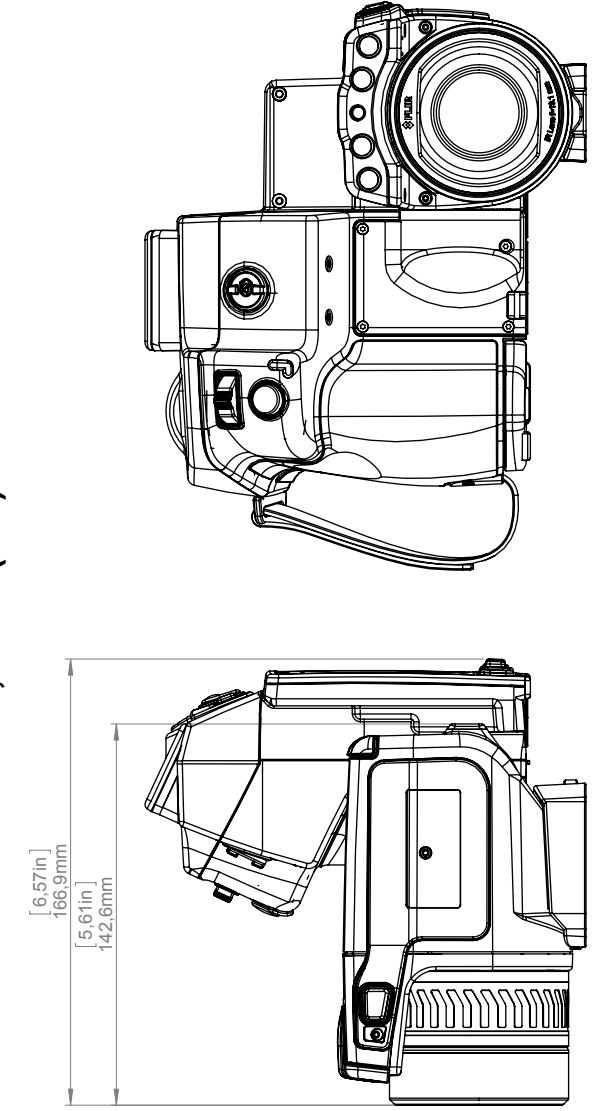
P/N: T197915

© 2020, FLIR Systems, Inc.

#T197915; r. 42932; en-US

- 55001-0105; FLIR A615 80°
- 55001-0301; FLIR A655sc 15°
- 55001-0302; FLIR A655sc 25°
- 55001-0303; FLIR A655sc 45°
- 55001-0304; FLIR A655sc 7°
- 55001-0305; FLIR A655sc 80°

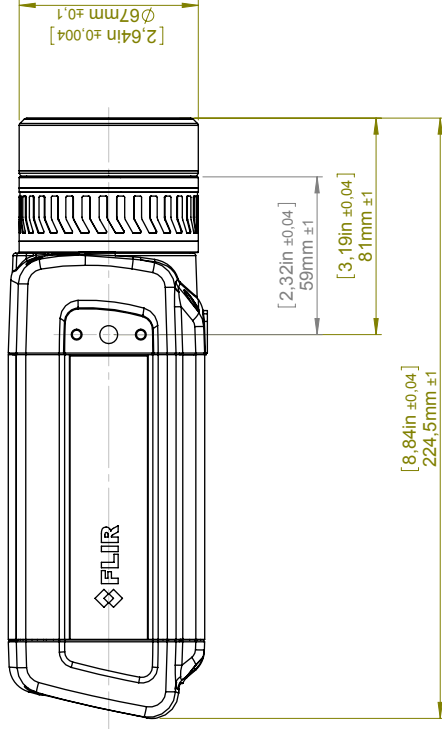
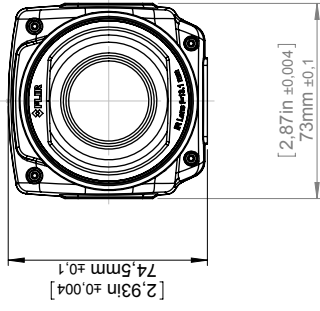
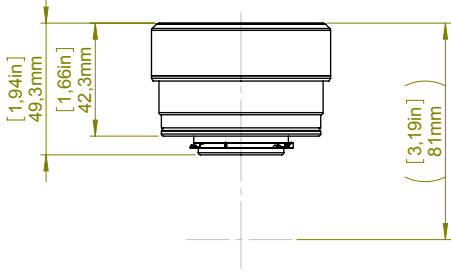
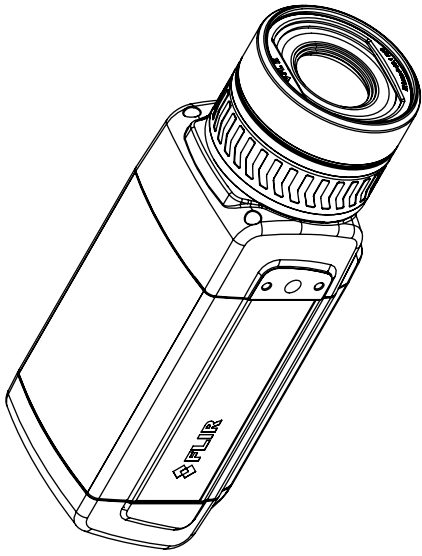
Camera with Lens IR f=13,1 mm (45°)



© 2012, FLIR Systems, Inc. All rights reserved worldwide. No part of this drawing may be reproduced, stored in a retrieval system, or transmitted in any form, or by any means, electronic, mechanical, photocopying, recording, or otherwise, without written permission from FLIR Systems, Inc. Specifications subject to change without further notice. Dimensional data is based on nominal values. Products may be subject to regional market considerations. License procedures may apply. Product may be subject to US Export Regulations. Please refer to exportquestions@flir.com with any questions. Diversion contrary to US law is prohibited.

For additional dimensions see page 1			
Modified 2012-04-19	Check CAHA	Drawn by R&D Thermography	FLIR®
Denomination Basic dimensions FLIR T6xx			Sheet 3(9)
Size A3	Scale 1:2	Drawing No. T127424	Size A

Camera with Lens IR f=13,1 mm (45°)



For additional dimensions see page 1

Modified	2012-04-18	Check	CAHA	Drawn by	R&D Thermography	FLIR®
Denomination	Basic dimensions FLIR A/SC 6xx			Size	A3	Sheet
				Scale	1:2	3(9)
				Drawing No.	T126925	Size
						A