

P/N: T197914

Copyright

© 2020, FLIR Systems, Inc.

All rights reserved worldwide. Names and marks appearing herein are either registered trademarks or trademarks of FLIR Systems and/or its subsidiaries. All other trademarks, trade names or company names referenced herein are used for identification only and are the property of their respective owners.

Document identity

Publ. No.: T197914
 Commit: 42932
 Language: en-US
 Modified: 2017-05-30
 Formatted: 2020-06-17

Website

<http://www.flir.com>

Customer support

<http://support.flir.com>

Disclaimer

Specifications subject to change without further notice. Camera models and accessories subject to regional market considerations. License procedures may apply. Products described herein may be subject to US Export Regulations. Please refer to exportquestions@flir.com with any questions.



General description	
The 15° lens is a popular lens accessory and provides 1.7x magnification compared to the standard lens. Ideal for small or distant targets such as overhead power lines.	
Imaging and optical data	
Field of view (FOV)	15° × 11° (19° diagonally)
Minimum focus distance	500 mm (19.69 in.)
Focal length	41.3 mm (1.63 in.)
Spatial resolution (IFOV)	0.41 mrad
Lens identification	Automatic
F-number	1.0
Number of lenses	3 (3 asph)
MTF @ 70% of FOV	Normal requirements (52%)
Distortion	3%
Physical data	
Weight	0.190 kg (0.419 lb.)
Size (L × D)	47 × 67 mm (1.85 × 2.64 in.)
Front lens diameter	52 mm (2.05 in.)
Shipping information	
Packaging, type	Cardboard box
List of contents	<ul style="list-style-type: none"> • Lens • Lens case • Front lens cap • Rear lens cap
Packaging, weight	0.427 kg (0.95 lb.)
Packaging, size	174 × 133 × 133 mm (6.85 × 5.24 × 5.24 in.)
EAN-13	7332558004449
UPC-12	845188002671
Country of origin	Sweden

Compatible with the following products:

- 55001-0101; FLIR A615 15°
- 55001-0102; FLIR A615 25°
- 55001-0103; FLIR A615 45°
- 55001-0104; FLIR A615 7°



IR lens, f=41.3 mm (15°) with case

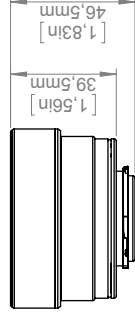
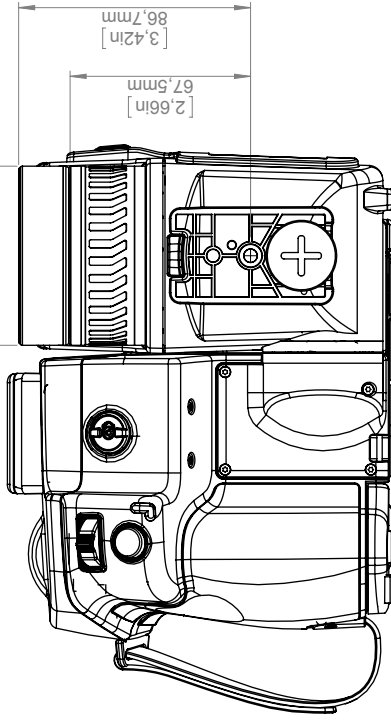
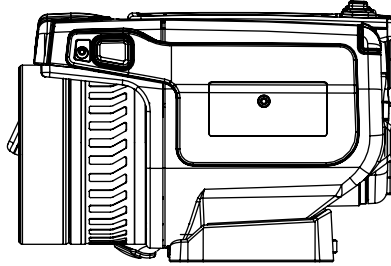
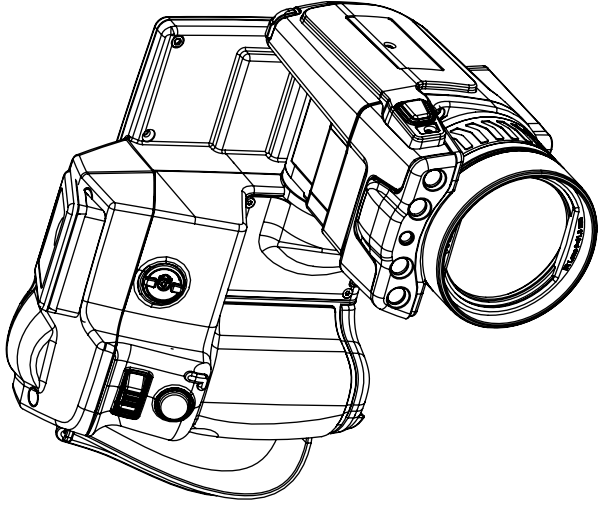
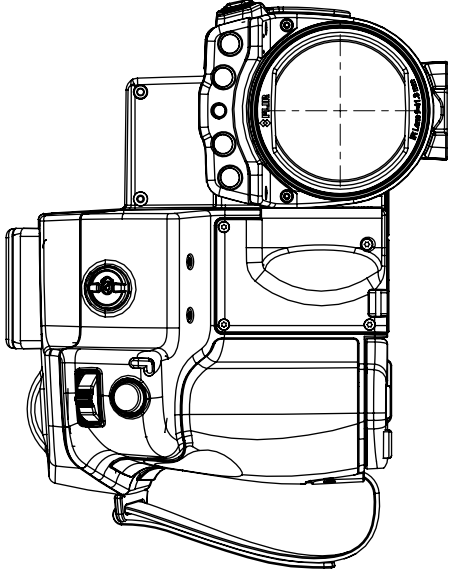
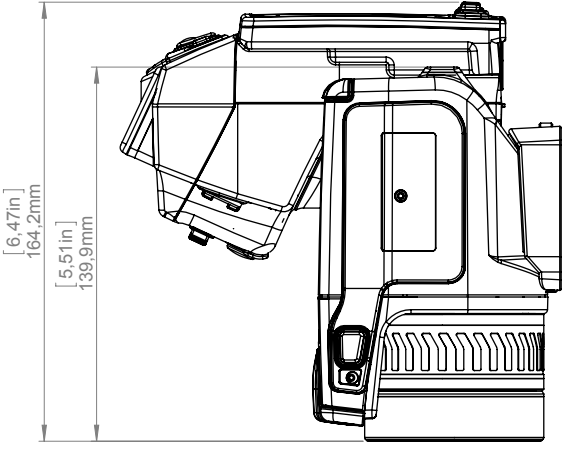
P/N: T197914

© 2020, FLIR Systems, Inc.

#T197914; r. 42932; en-US

- 55001-0105; FLIR A615 80°
- 55001-0301; FLIR A655sc 15°
- 55001-0302; FLIR A655sc 25°
- 55001-0303; FLIR A655sc 45°
- 55001-0304; FLIR A655sc 7°
- 55001-0305; FLIR A655sc 80°

Camera with Lens IR f=41,3 mm (15°)

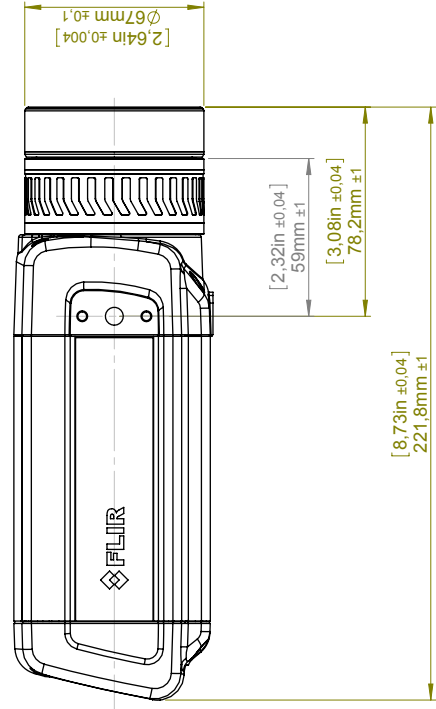
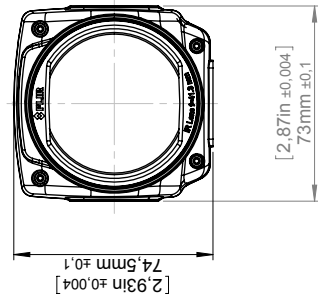
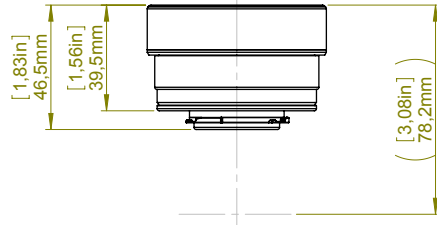
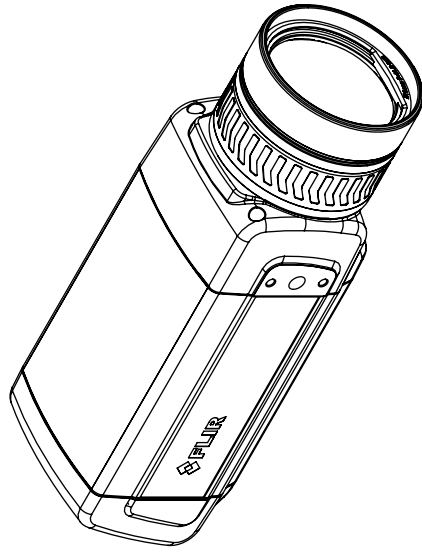


© 2012, FLIR Systems, Inc. All rights reserved worldwide. No part of this drawing may be reproduced, stored in a retrieval system, or transmitted in any form, or by any means, electronic, mechanical, photocopying, recording, or otherwise, without written permission from FLIR Systems, Inc. Specifications subject to change without further notice. Dimensions data is based on nominal values. Products may be subject to regional market considerations. License procedures may apply. Product may be subject to US Export Regulations. Please refer to exportquestions@flir.com with any questions. Diversion contrary to US law is prohibited.

For additional dimensions see page 1

Modified 2012-04-19	Check CAHA	Drawn by R&D Thermography	FLIR®
Denomination Basic dimensions FLIR T6xx			Size A3
			Scale 1:2
			Sheet 5(9)
			Drawing No. T127424
			Size A

Camera with Lens IR f=41,3 mm (15°)



For additional dimensions see page 1

Modified	2012-04-18	Check	CAHA	Drawn by	R&D Thermography	Size	A3
Denomination				Basic dimensions FLIR A/SC 6xx			
				Scale	1:2	Sheet	5(9)
				Drawing No.	T126925	Size	A



© 2012, FLIR Systems, Inc. All rights reserved worldwide. No part of this drawing may be reproduced, stored in a retrieval system, or transmitted in any form, or by any means, electronic, mechanical, photocopying, recording, or otherwise, without written permission from FLIR Systems, Inc. Specifications subject to change without further notice. Dimensional data is based on nominal values. Products may be subject to regional market considerations. License procedures may apply. Product may be subject to US Export Regulations. Please refer to exportquestions@flir.com with any questions. Diversion contrary to US law is prohibited.